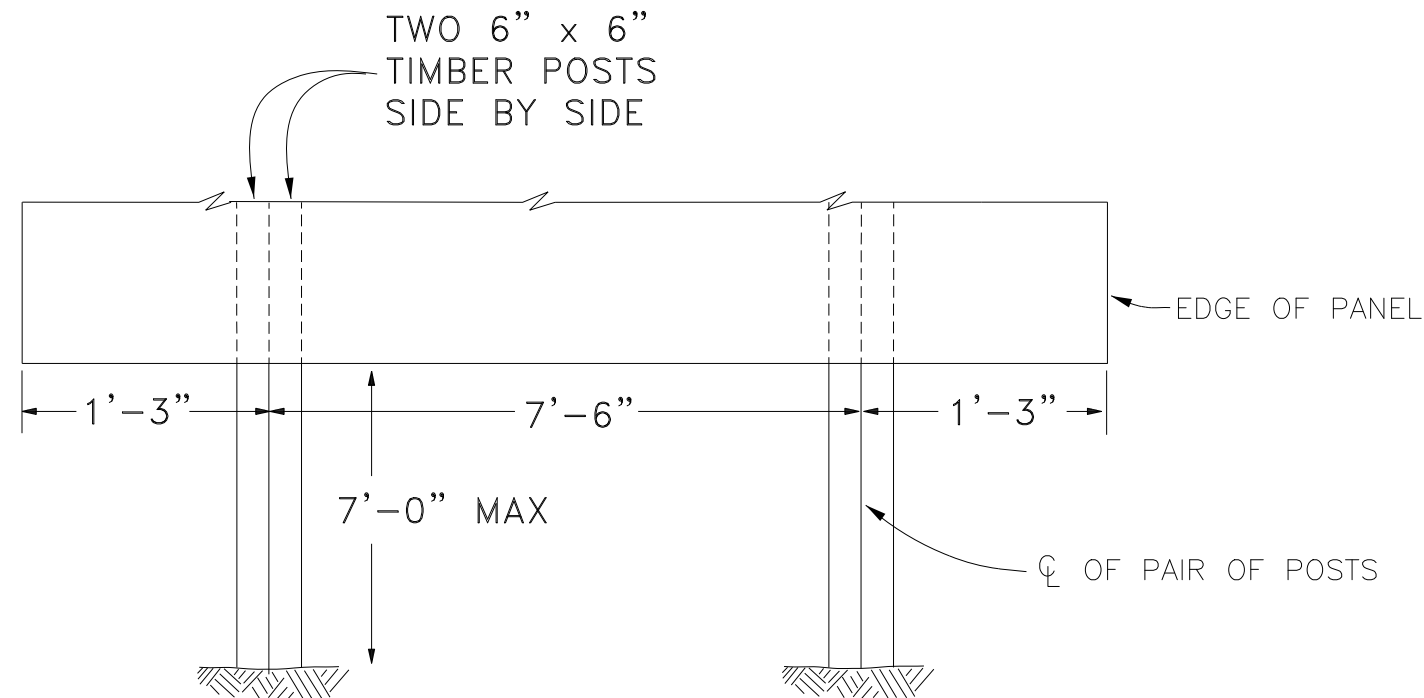


ZEE SPACING TABLE			
SIGN PANEL HEIGHT	NUMBER OF ZEES	OVERHANG "F"	SPACING "G"
9'-0"	4	1'-3"	2'-2"

FOR 3" X 2¹¹/₁₆" X 2.33 ALUMINUM BACKING ZEES


GENERAL NOTES

1. THIS POST CONFIGURATION HAS NOT BEEN CRASH TESTED FOR NCHRP 350 COMPLIANCE. THEREFORE THIS SIGN STRUCTURE MUST BE PLACED OUTSIDE THE CLEAR ZONE OR PROTECTED FROM TRAFFIC.
2. THESE CLASS III PANELS SHALL BE 0.125 IN. MINIMUM THICKNESS SHEET ALUMINUM.



FOUR POST INSTALLATION FOR 10' WIDE SIGN PANEL

TYPICAL POST SPACING

Computer File Information		Sheet Revisions		Colorado Department of Transportation  4201 East Arkansas Avenue Denver, Colorado 80222 Phone: (303) 757-9543 Fax: (303) 757-9820 Safety & Traffic Engineering Branch KCM/JSW	CLASS III SIGNS ON FOUR TIMBER POSTS	PROJECT DETAIL NO.
Creation Date: 03-19-09	Initials: JSW	Date:	Comments:			DS-614-4
Last Modification Date:	Initials:					
Full Path: www.coloradodot.info/library/traffic/traffic-s-standard-plans						
Drawing File Name: DS-614-04 (1of1)						
CAD Ver.: MicroStation V8	Scale: Not to Scale	Units: English			Issued By: Safety & Traffic Engineering Branch March 20, 2009	Sheet No. 1 of 1