



COLORADO
Department of Transportation

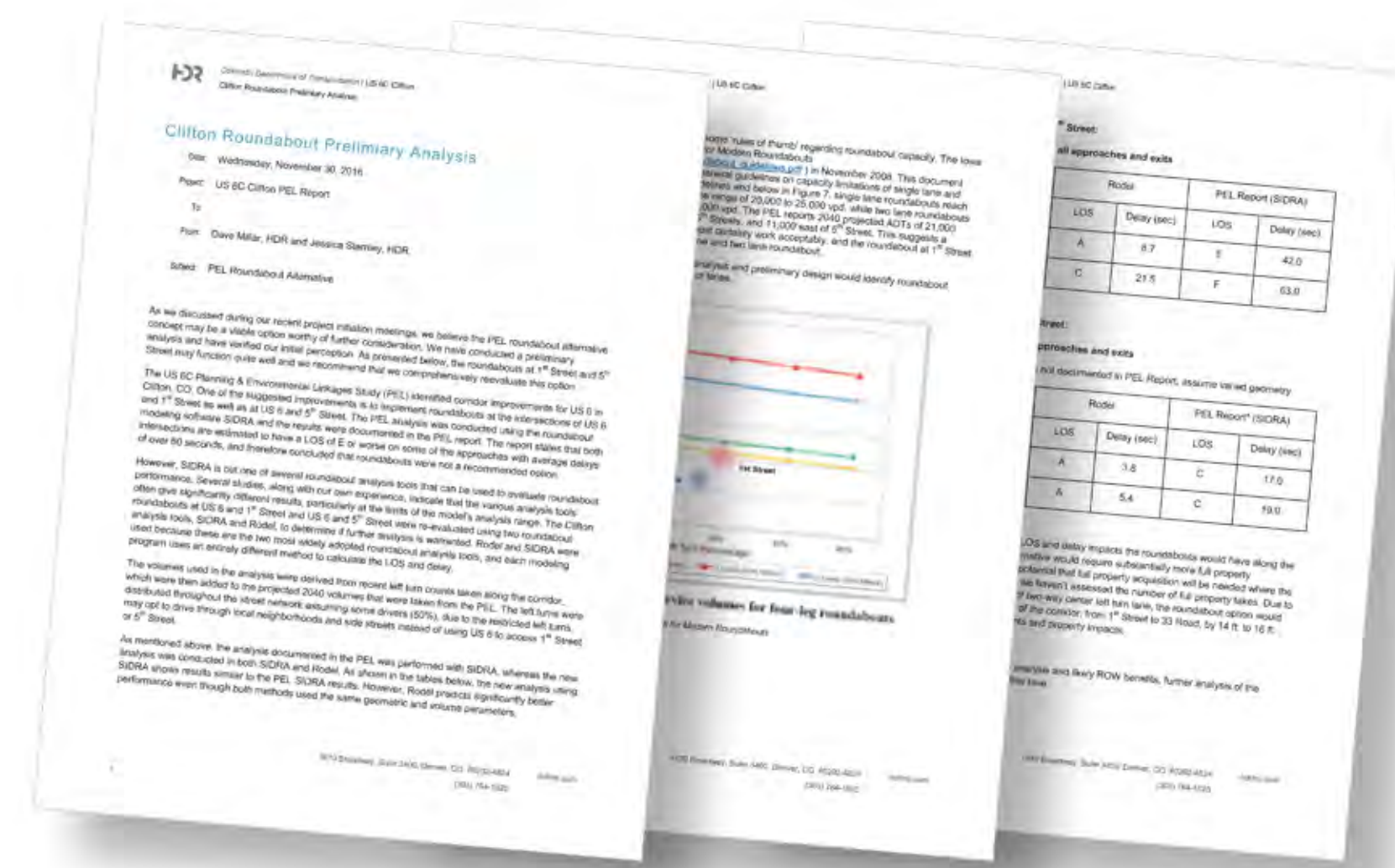
US 6 Clifton Improvements Project

WELCOME

Public Information Session
November 30, 2022

HOW DID WE GET HERE?

WORK THAT HAS OCCURRED SINCE COMPLETION OF THE PEL STUDY:



A Traffic Operations and Capacity Analysis was conducted



A Right-of-Way Impacts Analysis was completed



The PEL Recommended Alternatives were re-screened

The intersection design options – based on the PEL Recommended Alternative – were screened before being presented to the community in October 2021 for factors including but not limited to:

+ Traffic Operations

+ Safety Improvements

+ Right-of-Way Impacts

PROJECT AREA

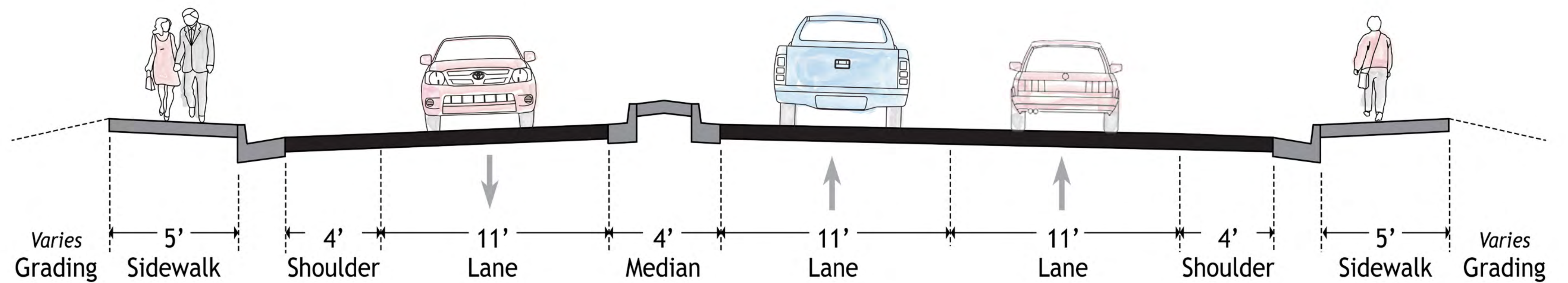


FINAL ROADWAY DESIGN



Example Cross Section

Between 1st Street & 5th Street



PROJECT BENEFITS



Roundabouts at 1st and 5th Streets to make intersections safer



New utility infrastructure throughout project



New storm drain system

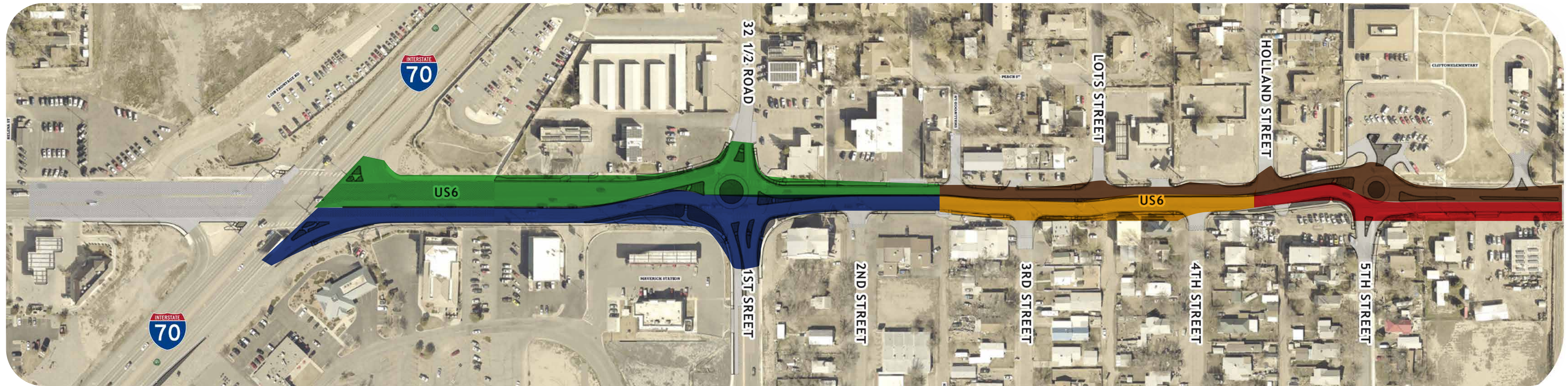


Controlled access to businesses



Safety benefits with new sidewalks and lighting

CONSTRUCTION SCHEDULE AND PHASING DETAILS



Start Construction 11/28/2022

End Construction Fall of 2024

PHASE 1

UTILITY WORK
Winter 2022-late Spring 2023

Location:
Southern Approach of 1st St, Peach Tree Shopping Center Improvements, US6 between I-70B and 2nd St.

Description of Work:
Storm drain improvements and pond construction.

PHASE 2

UTILITY WORK
Winter 2023-Early Summer 2023

Location:
US6 Between I-70B and 2nd Street.

Description of Work:
Water, sewer, storm drain, electric, phone and cable.

PHASE 3

ROADWAY CONSTRUCTION/
UTILITY WORK
Early Summer 2023-Late Fall 2023

Location:
US6 Between I-70B and 2nd Street and Peachtree Street (Roadwork)/ US6 Between 2nd and 5th (Utility).

Description of Work:
Construct median, sidewalks, curbs & gutters, roadway, and roundabout at First. The southside construction of the roundabout at US6 and 1st Street begins before moving to the northside of this location.

Utility replacement for water, sewer, storm drain, irrigation, electric, phone, cable.

PHASE 4

ROADWAY CONSTRUCTION
Late Fall 2023-Late Spring 2024
(Anticipated Winter shutdown Dec. 2023 through Mar. 2024)

Location:
US6 between 1st St. and 4th St.

Description of Work:
Construct sidewalk, medians, curb & gutters, roadway.

PHASE 5

ROADWAY CONSTRUCTION
Late Spring 2024 to Late Fall 2024

Location:
US6 between 4th and 5th Streets.

Description of Work:
Construct medians, sidewalks, curbs & gutters, roadway and roundabout at 5th St. The southside construction of the roundabout at US6 and 5th St. begins before moving to the northside of this location.

WHAT TO EXPECT

We understand construction is tough on our neighbors and drivers, which is why we're doing everything we can to minimize impacts and keep you informed.

ACTIVITIES YOU MAY ENCOUNTER DURING US 6 CONSTRUCTION



Slow Driving
Conditions



Construction
Materials



Heavy
Machinery



Dust, Noise and Vibrations
Near the Work Area

THANK YOU FOR YOUR PATIENCE

Our approach to the project includes keeping US 6 open to traffic, minimizing lane closures as much as possible, and scheduling work during daytime hours

ALTERNATIVE ROUTE

**US6 WILL
REMAIN
OPEN DURING
CONSTRUCTION**

A recommended alternate route to help avoid the primary work area is to take 32 Road to Mesa Ave, then E 1/2 Road to 33 Road.





Learn more, ask questions, and share your feedback
codot.gov/projects/us-6-clifton-improvements

THANK YOU
FOR JOINING US



COLORADO
Department of Transportation