

[NAME AND TYPE OF PWQ CM] / SAP NO. XXXXXXX
OPERATION AND MAINTENANCE PLAN
 [CDOT SECTION X][LA NAME] IS RESPONSIBLE FOR MAINTENANCE
 REGION X, X COUNTY, CONSTRUCTED IN [MONTH, YEAR]

DESIGNED: XXX
 DRAWN: XXX
 CHECKED: XXX
 DATE: XX/XX/XX

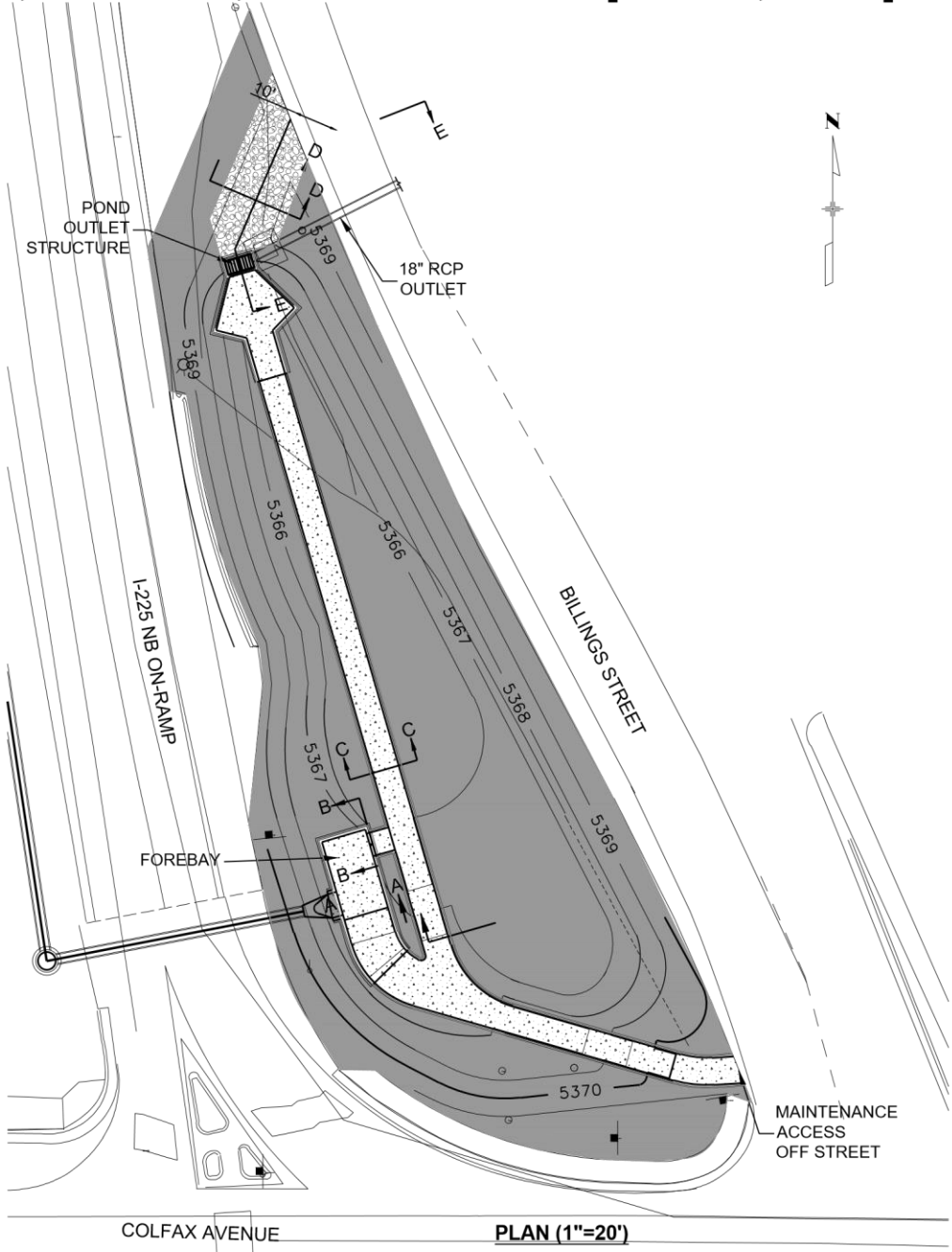
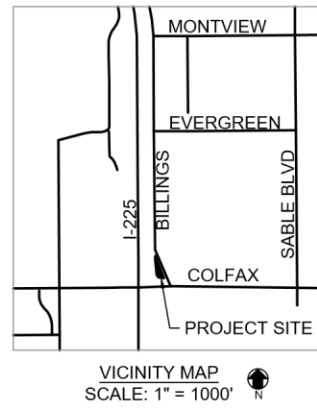


CDOT REGION X

CDOT PWQ CM
 FACILITY NAME
 AND TYPE

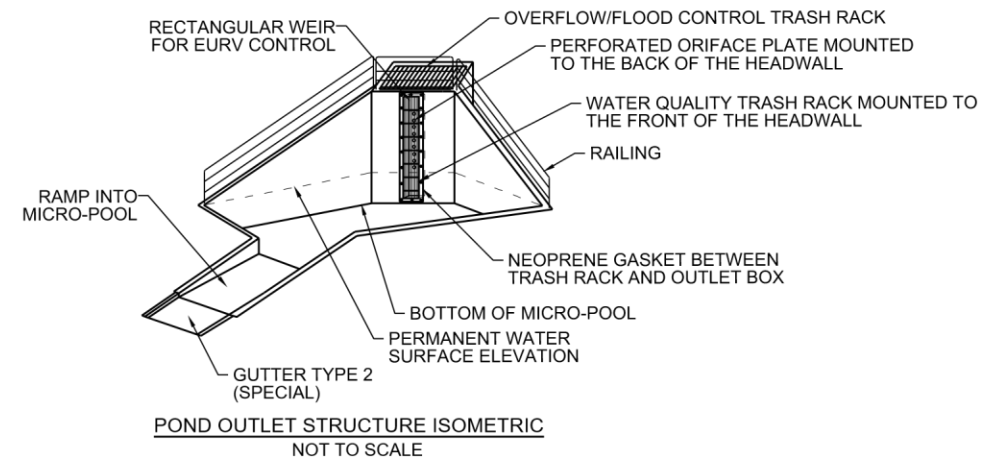
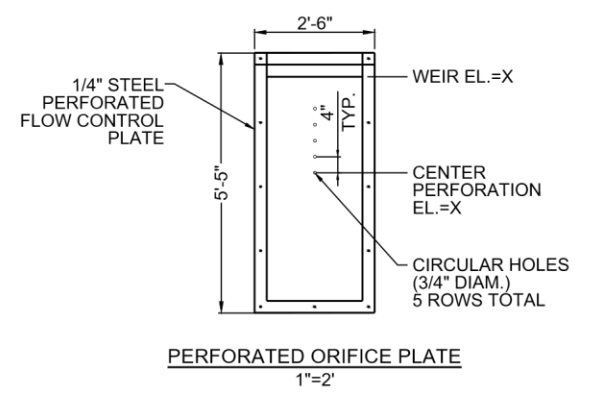
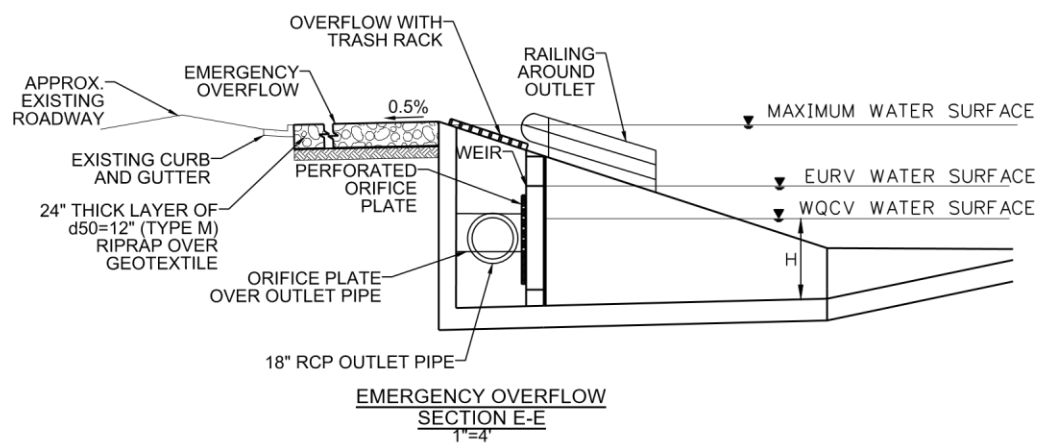
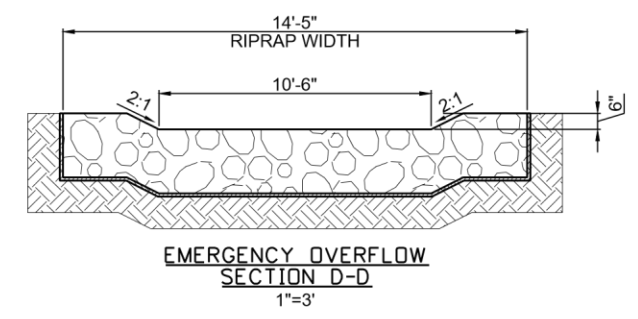
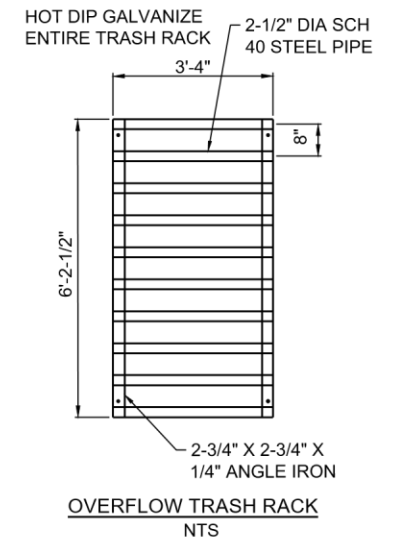
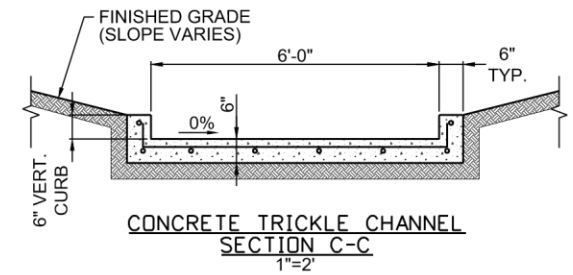
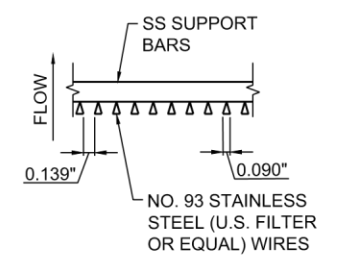
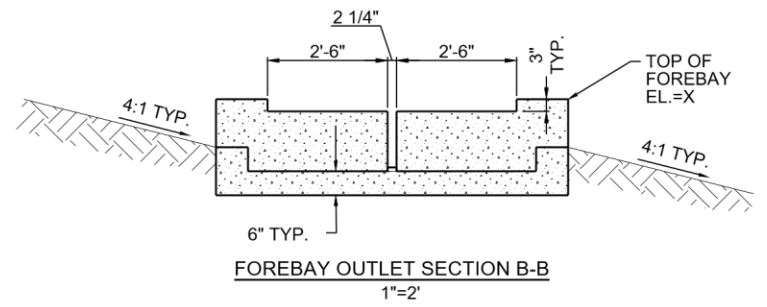
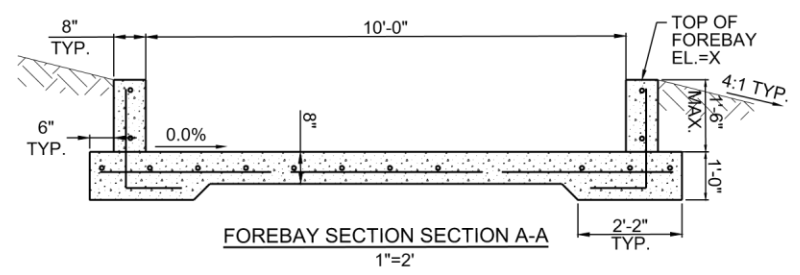
EXAMPLE
 OPERATIONS &
 MAINTENANCE PLAN

SHEET NUMBER:
1



- NOTES:**
- FOR ADDITIONAL DESIGN INFORMATION, PLEASE REFER TO THE CONSTRUCTION DRAWINGS FOR THIS PROJECT, SUBACCOUNT NO X.
 - DISTURBANCE OF WETLAND AREAS SHALL BE AVOIDED DURING MAINTENANCE OPERATIONS.
 - SEE DETAILED NOTES ON BACK OF THIS SHEET FOR ALL MAINTENANCE REQUIREMENTS.

LEGEND:
 AREA TO BE MOWED (SEE NOTE 6 NEXT SHEET)



NAME: Z:\CDOT_MSA\2018_Tasks\O&M_Plan and Guidance\Example Maintenance Plan.dwg
 PLOT DATE: Mar 15, 2019 12:56pm