
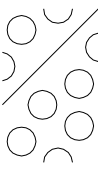

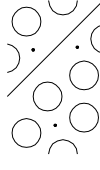



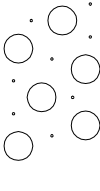


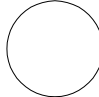
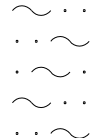
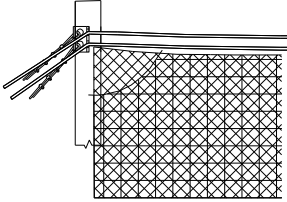
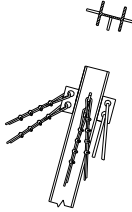
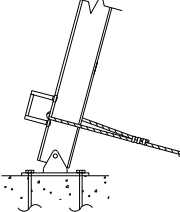
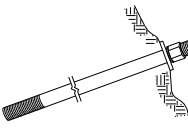
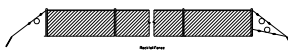


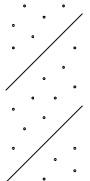
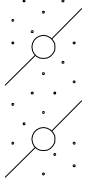


CDOT MATERIALS AND GEOTECHNICAL CELLS

 <p style="text-align: center;">arrow-stream Point Cell</p>	 <p style="text-align: center;">blows Point Cell</p>	 <p style="text-align: center;">boring Point Cell</p>	 <p style="text-align: center;">boulder Point Cell</p>
 <p style="text-align: center;">clay Point Cell</p>	 <p style="text-align: center;">clay-g Point Cell</p>	 <p style="text-align: center;">clay-gm Point Cell</p>	 <p style="text-align: center;">clay-gs Point Cell</p>
 <p style="text-align: center;">clay-m Point Cell</p>	 <p style="text-align: center;">clay-mg Point Cell</p>	 <p style="text-align: center;">clay-ms Point Cell</p>	 <p style="text-align: center;">clay-s Point Cell</p>
 <p style="text-align: center;">clay-sg Point Cell</p>	 <p style="text-align: center;">clay-sm Point Cell</p>	 <p style="text-align: center;">claystone Point Cell</p>	 <p style="text-align: center;">cobble Point Cell</p>
 <p style="text-align: center;">concrete Point Cell</p>	 <p style="text-align: center;">gneiss Point Cell</p>	 <p style="text-align: center;">granite Point Cell</p>	 <p style="text-align: center;">gravel Point Cell</p>


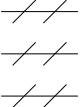

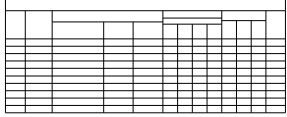

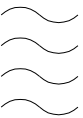
CDOT MATERIALS AND GEOTECHNICAL CELLS

			
<p>gravel-c Point Cell</p>	<p>gravel-cm Point Cell</p>	<p>gravel-cs Point Cell</p>	<p>gravel-m Point Cell</p>
			
<p>gravel-mc Point Cell</p>	<p>gravel-ms Point Cell</p>	<p>gravel-s Point Cell</p>	<p>gravel-sc Point Cell</p>
			
<p>gravel-sm Point Cell</p>	<p>penetrometer Point Cell</p>	<p>quartz Point Cell</p>	<p>rxfl_draped cable net Graphic Cell</p>
			
<p>POST DETAIL A</p> <p>rxfl_post detail a Graphic Cell</p>	<p>POST DETAIL B</p> <p>rxfl_post detail b Graphic Cell</p>	<p>TYPICAL ROCK REINFORCEMENT (DOWEL) NOT TO SCALE</p> <p>rxfl_rock reinforcement Graphic Cell</p>	<p>rxfl_rockfall fence Point Cell</p>
			
<p>WIRE ROPE ANCHOR DETAIL NOT TO SCALE</p> <p>rxfl_wire rope anchor Graphic Cell</p>	<p>sand Point Cell</p>	<p>sand-c Point Cell</p>	<p>sand-cg Point Cell</p>

CDOT MATERIALS AND GEOTECHNICAL CELLS

 <p style="text-align: center;">sand-cm Point Cell</p>	 <p style="text-align: center;">sand-g Point Cell</p>	 <p style="text-align: center;">sand-gc Point Cell</p>	 <p style="text-align: center;">sand-gm Point Cell</p>
 <p style="text-align: center;">sand-m Point Cell</p>	 <p style="text-align: center;">sand-mc Point Cell</p>	 <p style="text-align: center;">sand-mg Point Cell</p>	 <p style="text-align: center;">sandstone Point Cell</p>
 <p style="text-align: center;">sandstone-silty Point Cell</p>	 <p style="text-align: center;">sandstone2 Point Cell</p>	 <p style="text-align: center;">shale Point Cell</p>	 <p style="text-align: center;">silt Point Cell</p>
 <p style="text-align: center;">silt-c Point Cell</p>	 <p style="text-align: center;">silt-cg Point Cell</p>	 <p style="text-align: center;">silt-cs Point Cell</p>	 <p style="text-align: center;">silt-g Point Cell</p>
 <p style="text-align: center;">silt-gc Point Cell</p>	 <p style="text-align: center;">silt-gs Point Cell</p>	 <p style="text-align: center;">silt-s Point Cell</p>	 <p style="text-align: center;">silt-sc Point Cell</p>

CDOT MATERIALS AND GEOTECHNICAL CELLS

			
<p>silt-sg Point Cell</p>	<p>siltstone Point Cell</p>	<p>soil-sym Point Cell</p>	<p>test-results Point Cell</p>
			
<p>topsoil Point Cell</p>	<p>weathered Point Cell</p>		