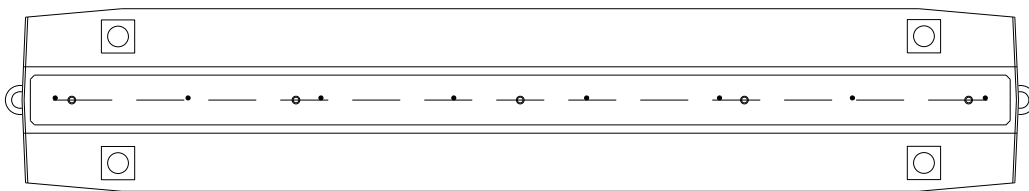


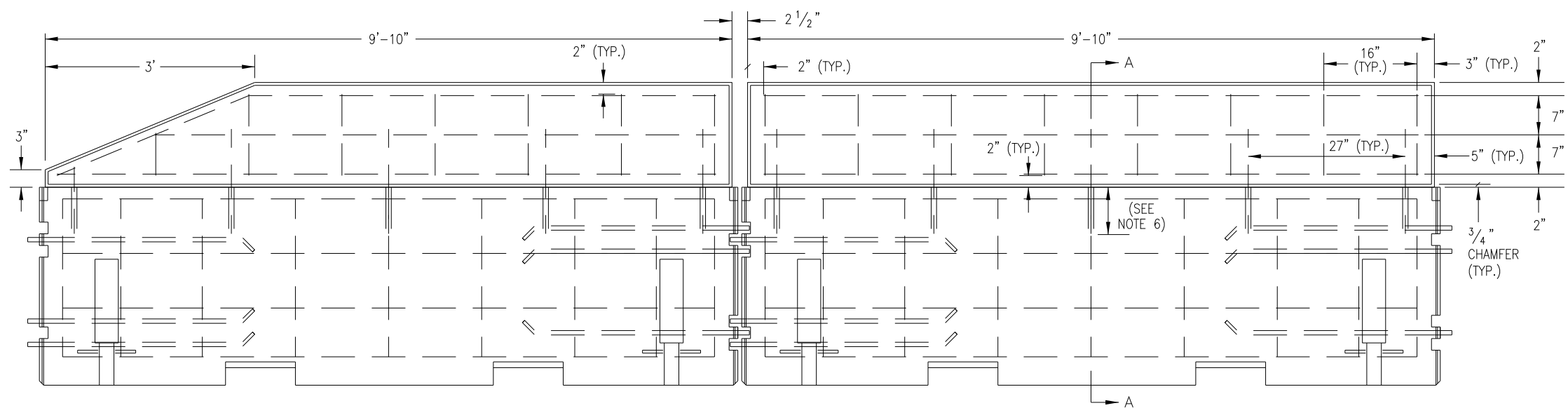
ISOMETRIC



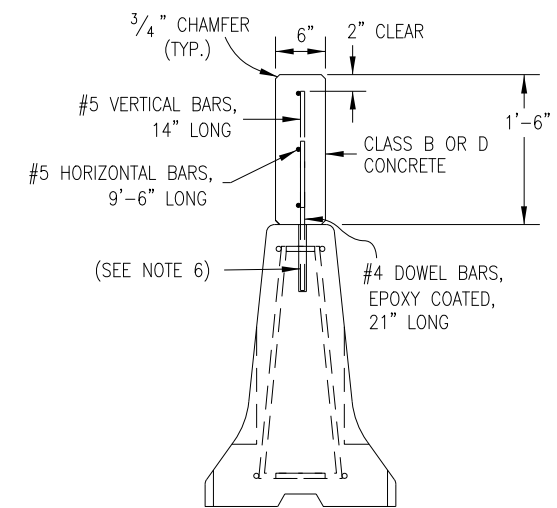
PLAN

GENERAL NOTES

1. CONCRETE GLARE SCREEN SHALL BE USED ONLY ON PERMANENT INSTALLATIONS OF PRECAST TYPE 7 CONCRETE BARRIER. REFER TO STANDARD M-606-14, SHEET 3 OF 3 FOR STABILIZATION PIN REQUIREMENTS.
2. ALL INSTALLATIONS REQUIRE END ANCHORAGES OR ATTACHMENT TO EXISTING PERMANENT CONCRETE BARRIER. REFER TO STANDARD M-606-13, SHEET 1 OF 4 FOR ANCHORAGE DETAILS.
3. CONCRETE SHALL BE CLASS B OR D.
4. ALL REINFORCEMENT SHALL BE 2 IN. CLEAR OF THE NEAREST FACE OF CONCRETE UNLESS OTHERWISE SHOWN. REINFORCING BARS SHALL BE TIED TOGETHER AT ALL INTERSECTIONS.
5. APPROVED NON-SHRINK CHEMICAL GROUT SHALL BE USED FOR SETTING THE CONCRETE GLARE SCREEN.
6. WHEN CONCRETE GLARE SCREEN IS PLACED ON AN EXISTING PERMANENT PRECAST TYPE 7 PORTABLE BARRIER WALL, DOWELS SHALL BE EMBEDDED 13 IN. INTO THE BARRIER WALL AND SET WITH AN APPROVED NON-SHRINK CHEMICAL GROUT. EMBEDMENT HOLES SHALL BE 3/4 IN. DIAMETER AND DRILLED OR FORMED TO A DEPTH OF 1/4 IN. BELOW THE TIP OF THE DOWEL. IF THE CONTRACTOR PROPOSES A SHORTER EMBEDMENT LENGTH, THE PROPOSAL SHALL BE SUBMITTED IN WRITING AND A PULLOUT TEST PERFORMED TO DEMONSTRATE THE SHORTER EMBEDMENT LENGTH PROVIDES ADEQUATE BOND. A WRITTEN APPROVAL ACCEPTING THE PROPOSAL SHALL BE ISSUED BY THE ENGINEER BEFORE PROCEEDING WITH PRODUCTION.
7. ALL INCIDENTAL WORK AND MATERIALS SUCH AS CONNECTING PINS, ANCHORS PINS, NON-SHRINK CHEMICAL GROUT, EXCAVATION FOR END ANCHORAGE, ETC., WILL NOT BE PAID FOR SEPARATELY BUT SHALL BE INCLUDED IN THE WORK.



ELEVATION BARRIER WITH GLARE SCREEN



SECTION A-A

Computer File Information		Sheet Revisions		Colorado Department of Transportation		As Constructed		CONCRETE GLARE SCREEN FOR PRECAST TYPE 7 CONCRETE BARRIER		Project No./Code	
Creation Date: 07/31/19		(R-X)	mm/dd/yy	XXXXXXX	XXXXXX	Street Address		No Revisions: mm/dd/yy		XXXXX/XXXX	
Designer Initials: JBK		(R-X)	mm/dd/yy	XXXXXXX	XXXXXX	Office location		Revised: mm/dd/yy		D-606-15	
Last Modification Date: 07/31/19		(R-X)	mm/dd/yy	XXXXXXX	XXXXXX	City, CD Zip code		Designer: XXXXXXXX		Sheet Number: 1 of 1	
Detailer Initials: LTA		(R-X)	mm/dd/yy	XXXXXXX	XXXXXX	Phone: XXX-XXX-XXXX Fax: XXX-XXX-XXXX		Detailer: XXXXXXXX		Project Sheet Number: XX	
CAD Ver.: MicroStation V8 Scale: Not to Scale Units: English		(R-X)	mm/dd/yy	XXXXXXX	XXXXXX	Region, Unit		Initials/Intials		Void: mm/dd/yy	
								Sheet Subset: XXXXXXXX		Subset Sheets: XXX of XXX	