

PLAN VIEW

PIPE DIAMETER IN.	DIMENSIONS					
	A	B	C	E	F	G
12	2'-6"	1'-6"	0'-9"	1'-6"	2'-0"	1'-6"
18	3'-9"	2'-0"	1'-2"	2'-3"	3'-0"	2'-1"
24	5'-0"	2'-6"	1'-6"	3'-0"	4'-0"	2'-8"
30	6'-3"	3'-0"	1'-11"	3'-9"	5'-0"	3'-3"
36	7'-6"	3'-6"	2'-3"	4'-6"	6'-0"	3'-10"

HEADWALL DIMENSIONS

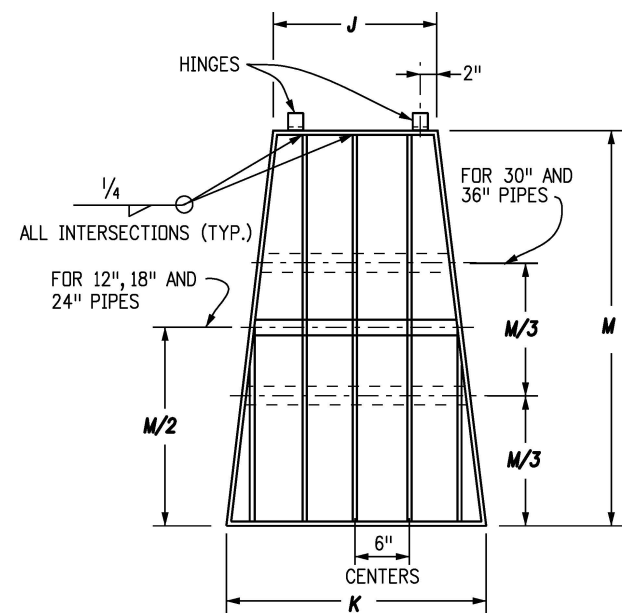
PIPE DIAMETER IN.	CONCRETE	REINFORCED STEEL
	CU. YDS.	LBS.
12	0.62	55
18	1.17	88
24	1.92	146
30	2.72	203
36	3.74	275

HEADWALL QUANTITIES

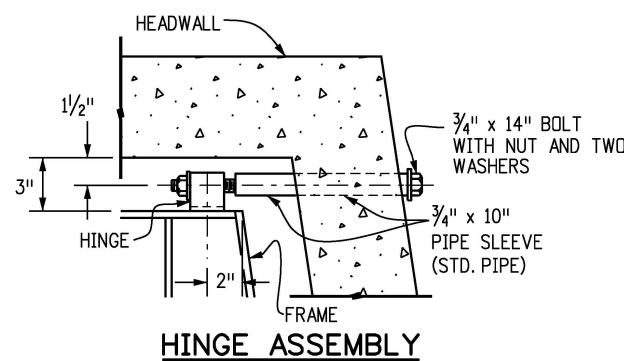
QUANTITIES FOR ONE HEADWALL
AFTER DEDUCTION FOR PIPE.

GENERAL NOTES

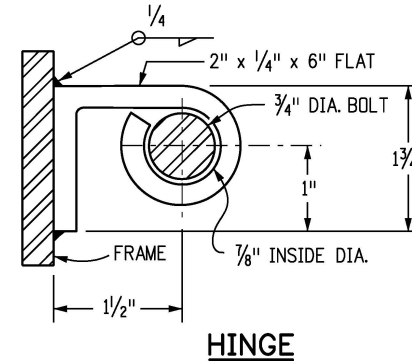
- SIPHON DRAIN, VALVE AND VALVE BOX, AND TRASH GUARDS ARE TO BE PROVIDED ONLY WHEN CALLED FOR ON THE PLANS.
- CONCRETE SHALL BE CLASS B.
- ALL EXPOSED CONCRETE CORNERS SHALL BE CHAMFERED 3/4 IN.
- THE LOCATION, SIZE, PIPE MATERIAL AND GOVERNING DIMENSIONS OF SIPHONS WILL BE SHOWN ON THE PLANS.
- TO DETERMINE WALL THICKNESS OR CLASS FOR SIPHON PIPE, SEE APPROPRIATE TABLES ON STANDARD PLAN M-603-2.
- COST OF JOINT SEALERS, GASKETS, FITTINGS AND CONNECTIONS SHALL BE INCLUDED IN THE BID PRICE FOR SIPHON PIPE.
- TRASH GUARDS AND APPURTENANCES SHALL BE GALVANIZED IN CONFORMANCE WITH AASHTO M 111.



TRASH GUARD DETAILS



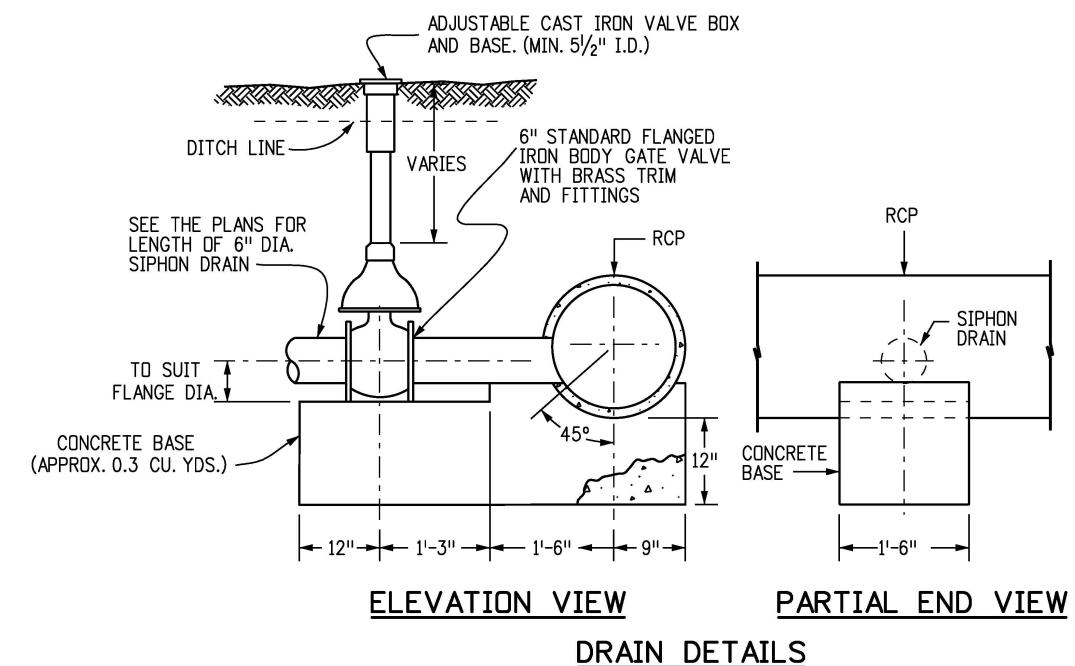
HINGE ASSEMBLY



HINGE

PIPE DIAMETER INCHES	BAR AND BRACE SIZE	NO. OF BRACES EACH	DIMENSIONS			WEIGHT LBS.
			J	K	M	
12	3/8" x 2"	1	1'-0"	1'-6"	2'-6"	35.1
18	3/8" x 2"	1	1'-7"	2'-6"	3'-10"	74.4
24	3/8" x 2"	1	2'-2"	3'-6"	5'-2"	120.5
30	3/8" x 2 1/2"	2	2'-9"	4'-6"	6'-6"	235.9
36	3/8" x 2 1/2"	2	3'-4"	5'-6"	7'-10"	317.6

TRASH GUARD DIMENSIONS AND QUANTITIES



ELEVATION VIEW

PARTIAL END VIEW

DRAIN DETAILS

Computer File Information

Creation Date: 07/31/19
Designer Initials: JBK
Last Modification Date: 07/31/19
Detailer Initials: LTA
CAD Ver.: MicroStation V8 Scale: Not to Scale Units: English

Sheet Revisions

Date:	Comments
(R-X)	
(R-X)	
(R-X)	
(R-X)	

Colorado Department of Transportation
 2829 West Howard Place
 CDDT HQ, 3rd Floor
 Denver, CO 80204
 Phone: 303-757-9021 FAX: 303-757-9868
 Project Development Branch JBK

**INVERTED
SIPHON**

Issued by the Project Development Branch: July 31, 2019

STANDARD PLAN NO.

M-616-1

Standard Sheet No. 1 of 1

Project Sheet Number: