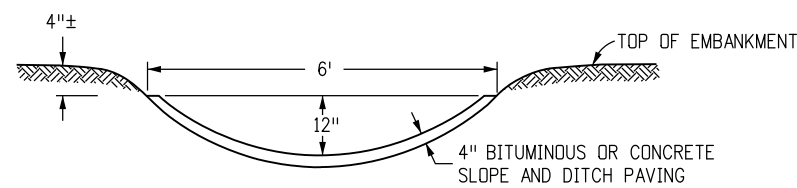
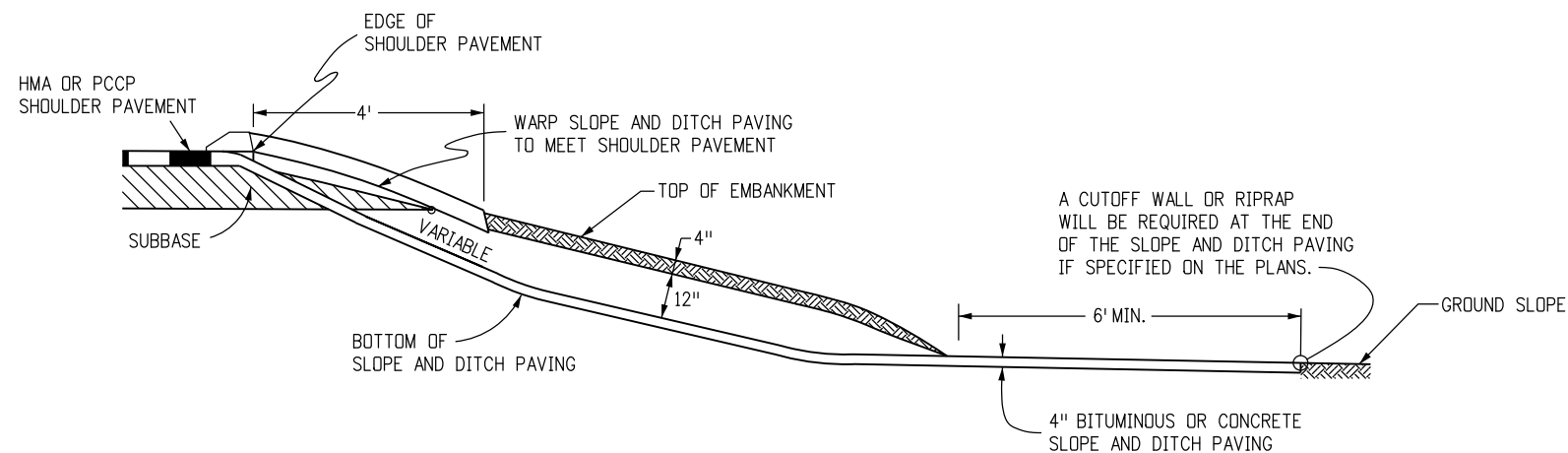


GENERAL NOTES

1. IF THE EMBANKMENT PROTECTOR IS LOCATED IN THE BOTTOM OF A SAG VERTICAL CURVE, FLARE THE CURB ON EACH SIDE OF THE INLET TO ALLOW FOR FLOW FROM BOTH DIRECTIONS.
2. DETAILS OF CURBING ARE SHOWN IN STANDARD PLAN M-609-1.
3. STRUCTURE BACKFILL MATERIAL SHALL NOT BE USED IN THIS WORK. EMBANKMENT MATERIAL SHALL BE USED WITH CONSTRUCTION REQUIREMENTS IN ACCORDANCE WITH SECTION 203. EMBANKMENT MATERIAL WILL NOT BE PAID FOR SEPARATELY, BUT SHALL BE INCLUDED IN THE PAY ITEM FOR EMBANKMENT PROTECTOR (TYPE 5).
4. PAYMENT FOR THE QUANTITIES SHOWN ON THE PLANS FOR THIS WORK SHALL BE AS FOLLOWS:
 - 507 - BITUMINOUS SLOPE AND DITCH PAVING (ASPHALT) TON
 - 507 - CONCRETE SLOPE AND DITCH PAVING CU. YD.
 - 609 - CURB, TYPE 4 OR TYPE 6 (SECTION M) LINEAR FT.
 - 615 - EMBANKMENT PROTECTOR (TYPE 5) EACH
 NOTE: THIS PAYMENT INCLUDES THE STRUCTURE EXCAVATION, ANY OTHER EARTHWORK, AND ANY EXTRA WORK REQUIRED TO MODIFY OTHER PAY ITEMS.



SECTION A-A



SECTION B-B

(WITH 4 IN. BITUMINOUS OR CONCRETE SLOPE AND DITCH PAVING)

Computer File Information		Sheet Revisions		Colorado Department of Transportation		EMBANKMENT PROTECTOR TYPE 5		STANDARD PLAN NO.	
Creation Date: 07/31/19		Date:	Comments	 2829 West Howard Place CDDT HQ, 3rd Floor Denver, CO 80204 Phone: 303-757-9021 FAX: 303-757-9868				M-615-2	
Designer Initials: JBK		(R-X)				Project Development Branch		Issued by the Project Development Branch: July 31, 2019	
Last Modification Date: 07/31/19		(R-X)		JBK				Project Sheet Number:	
Detailer Initials: LTA		(R-X)							
CAD Ver.: MicroStation V8 Scale: Not to Scale Units: English		(R-X)							