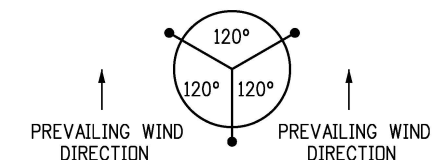
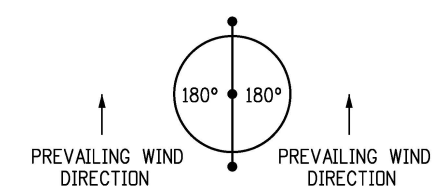


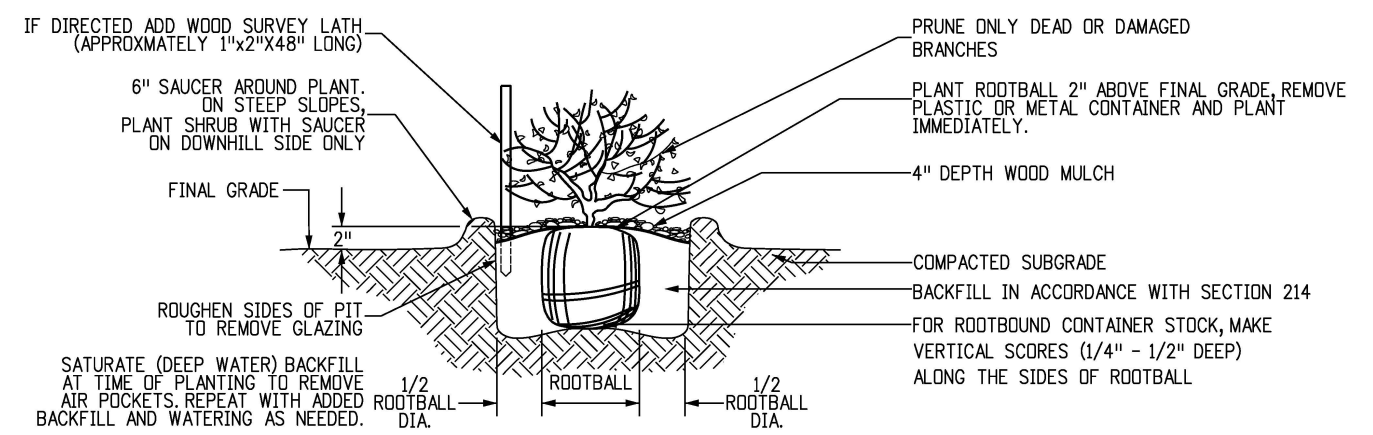
DECIDUOUS AND EVERGREEN BALLED AND BURLAPPED TREE PLANTING AND GUYING DETAIL
 (GUY AND STAKE DECIDUOUS TREES 2" AND LARGER CALIPER AND EVERGREEN TREES OVER 4' HEIGHT.)
 NOT TO SCALE



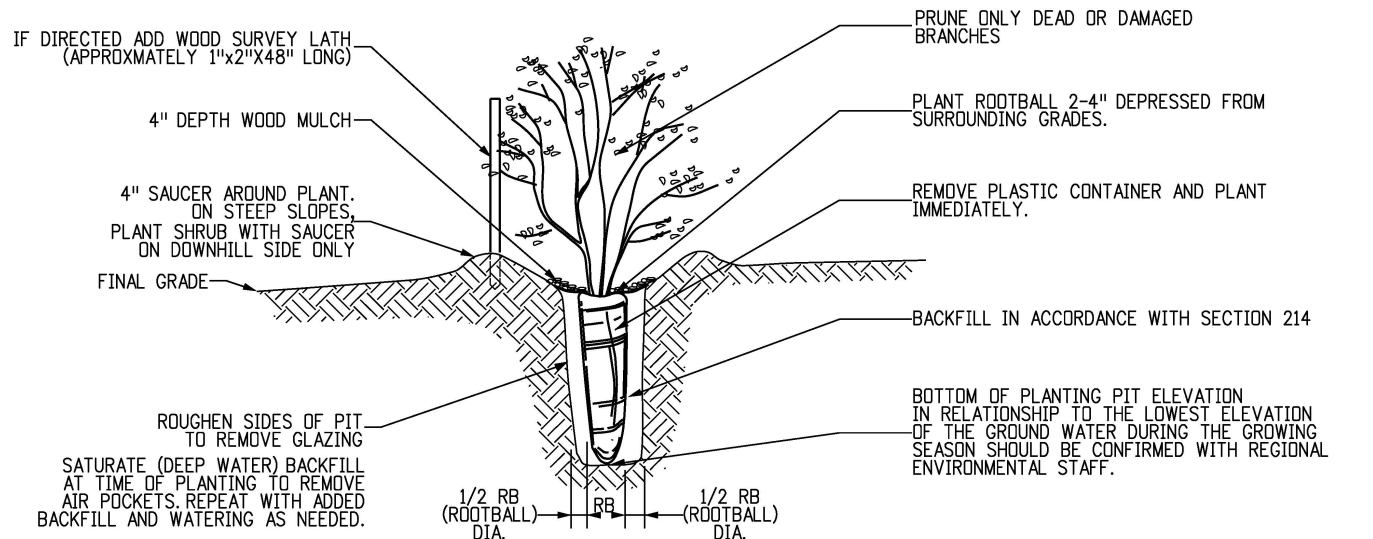
GUYING PATTERN FOR EVERGREEN TREE BALLED AND BURLAPPED TREE PLANTINGS



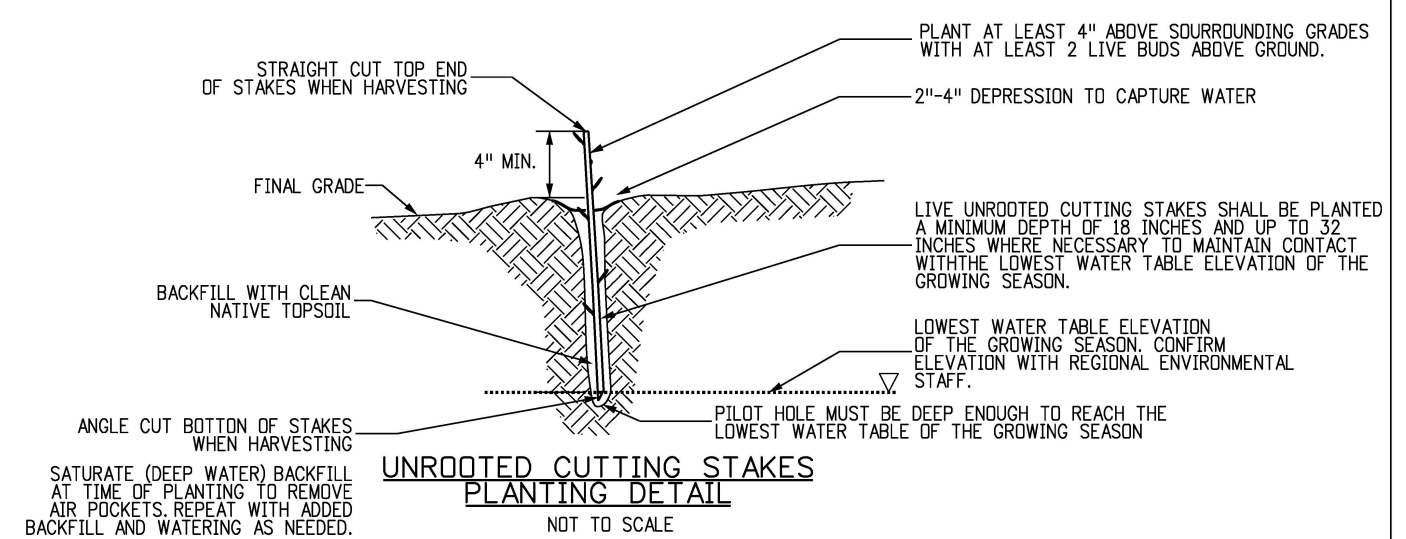
GUYING PATTERN FOR DECIDUOUS TREE BALLED AND BURLAPPED TREE PLANTINGS



STANDARD NURSERY STOCK CONTAINERS (#5, #10 AND #20) PLANTING DETAIL
 NOT TO SCALE



DEEP ROOTED UPLAND NURSERY CONTAINERS (DRC #10, #40, #60 AND #180) PLANTING DETAIL
 NOT TO SCALE



UNROOTED CUTTING STAKES PLANTING DETAIL
 NOT TO SCALE

Computer File Information	
Creation Date: 07/31/19	
Designer Initials: MP	(R-X)
Last Modification Date: 07/31/19	(R-X)
Detailer Initials: LTA	(R-X)
CAD Ver.: MicroStation V8 Scale: Not to Scale Units: English	(R-X)

Sheet Revisions	
Date:	Comments

Colorado Department of Transportation
 2829 West Howard Place
 CDDT HQ,
 Denver, CO 80204
 Phone: 303-757-9542
Project Development Branch

NURSERY STOCK DETAILS
 Issued by the Project Development Branch: July 31, 2019

STANDARD PLAN NO.
M-214-1
Standard Sheet No. 1 of 1
 Project Sheet Number: